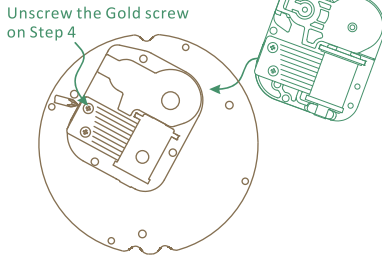


Woo^{erful} life™

— Music Round & Round Double Go Around · How to fix music movement —

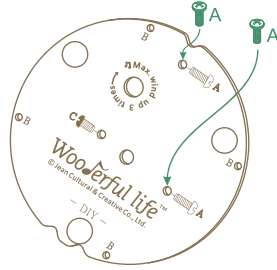
Step 1

Follow the marking to place music movement on the inside plate.

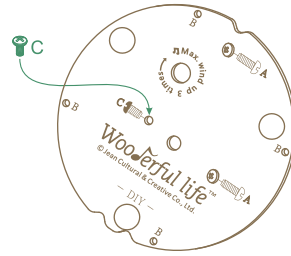


Step 2

(1) Turn the plate over. Fasten music movement by 2 A screws.

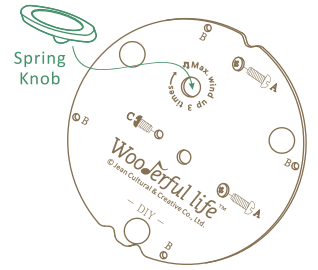


(2) Fasten screw C (the short one).



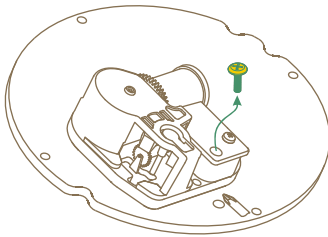
Step 3

Fasten the spring knob clockwise.



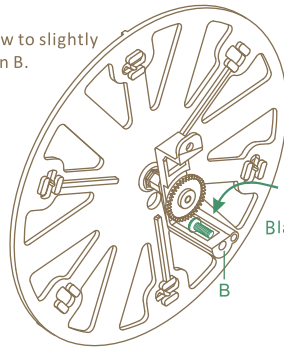
Step 4

Unscrew the Gold screw.
*Remark: Do not unscrew the silver one.

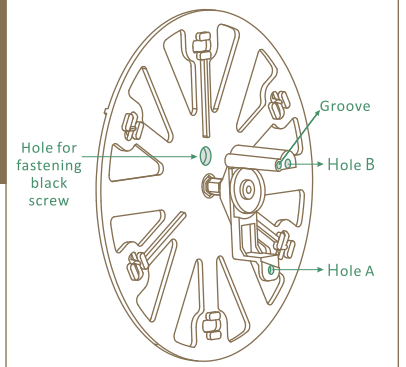


Step 5

(1) Follow the arrow to slightly fix black screw(F) on B.



Plastic Plate Outline



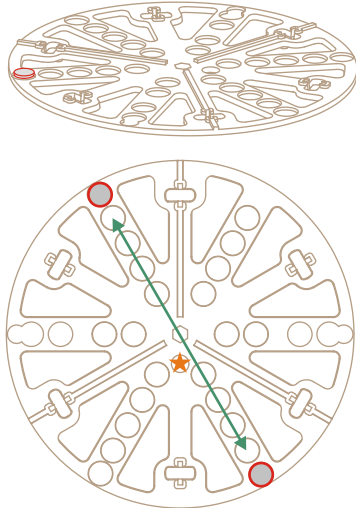
Step 6

Match with the number of moving carts

The turntable already contains 1 pc of magnet

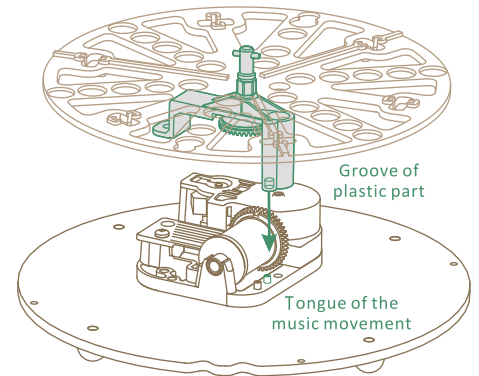
1pc of additional magnet is available for purchase to stick on the diagonal position of the existing magnet

★ Registration hole of the turntable



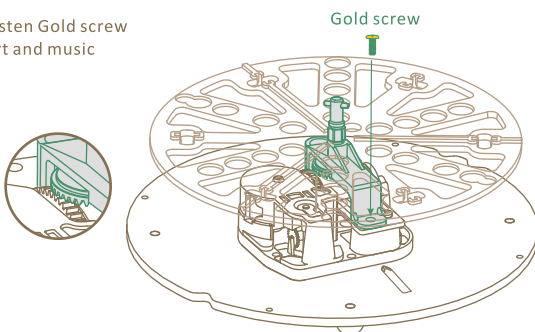
Step 7

Follow the arrow to join tongue and groove together.



Step 8

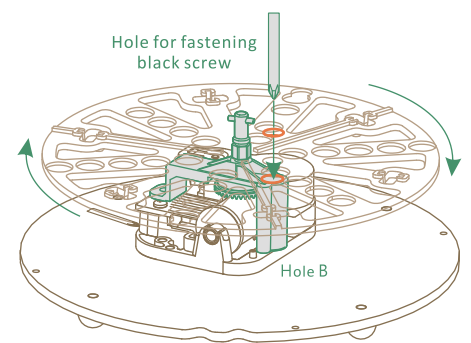
From hole A to fasten Gold screw to join plastic part and music movement.



Step 9

Fasten the black screw(F).

Remark: please slightly raise the plastic plate. After the gear of plastic plate and the gear of music movement are not touched, you can adjust the red hole on top of the hole B.

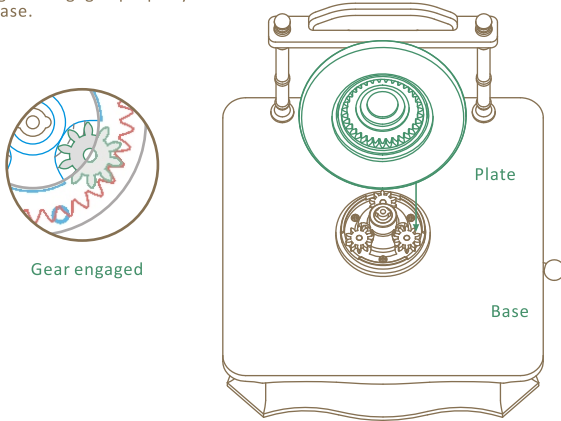


Wonderful life™

— Music Round & Round Double Go Around · How to fix music movement —

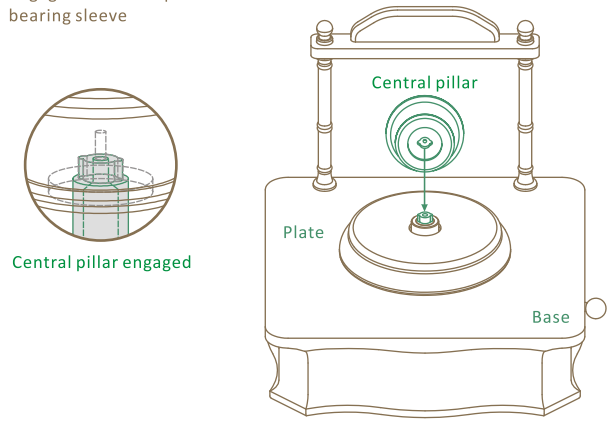
Step 10

Make sure gears engaged properly between plate and base.



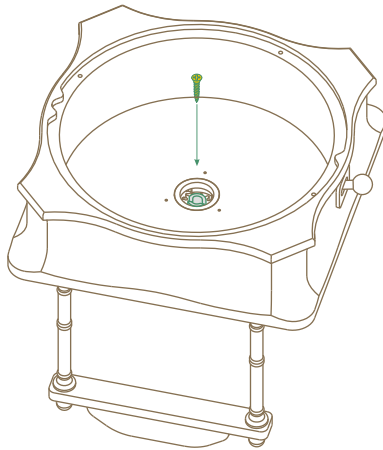
Step 11

Engage the central pillar and bearing sleeve



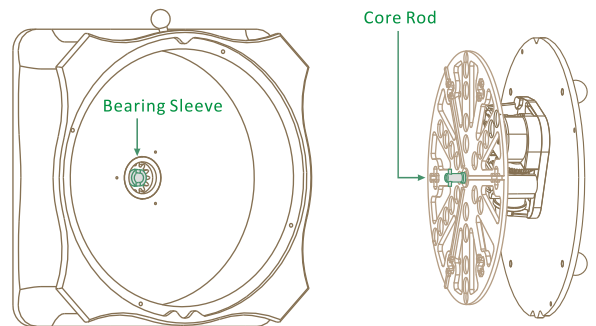
Step 12

Fasten the golden screw to the bearing sleeve



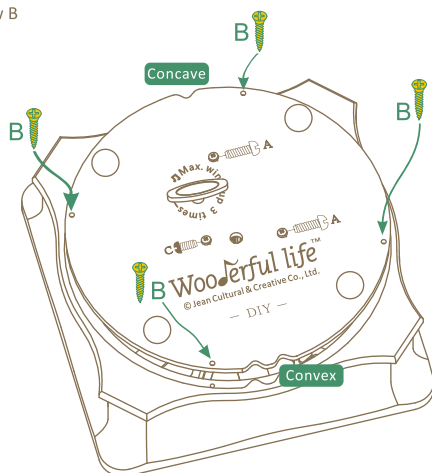
Step 13

Insert the core rod into the bearing sleeve by rotating the central pillar to a certain angle to make them fully interlocked.



Step 14

Follow the arrow to screw B (thin & gold one).



Step 15

After music movement is fixed, you are free to create your GIFT.

