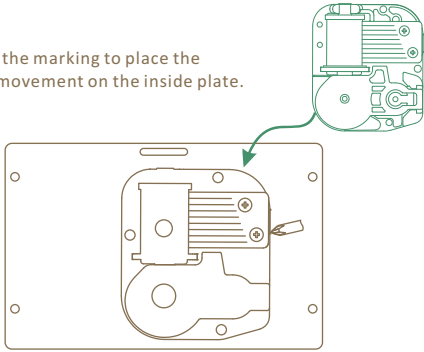


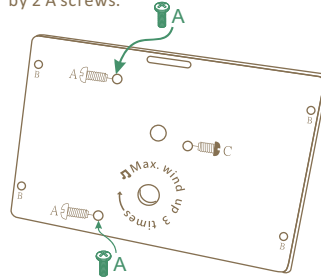
Step 1

Follow the marking to place the music movement on the inside plate.

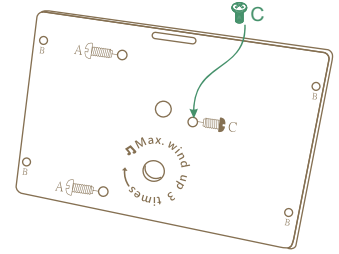


Step 2

(1) Turn the plate over. Fasten music movement by 2 A screws.

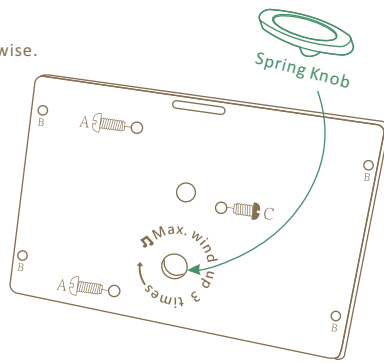


(2) Fasten screw C (the short one).



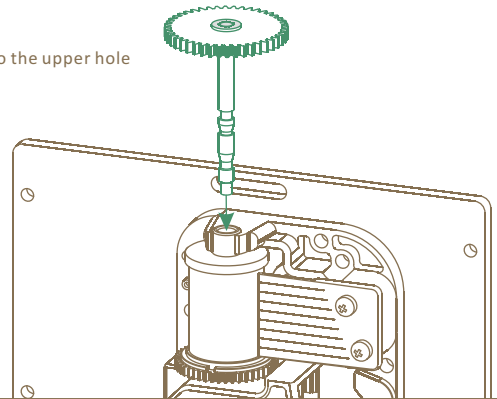
Step 3

Fasten the spring knob clockwise.



Step 4

Insert the shaft into the upper hole to the end.



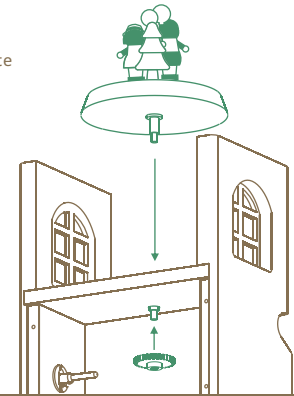
Step 5

Loosen the bottom gear (1) and take the round plate (2) out before decorating (3).



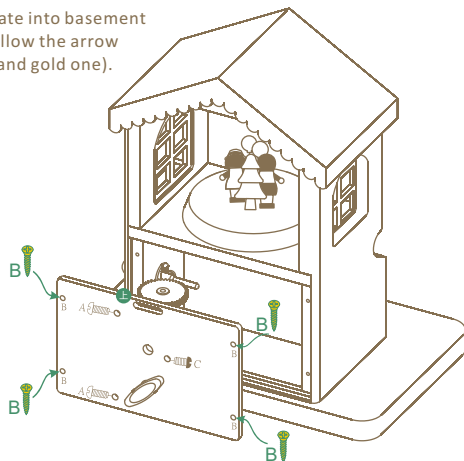
Step 6

Assemble the gear and plate after decoration.



Step 7

Put the inside plate into basement (shaft up) and follow the arrow to screw B (thin and gold one).



Step 8

Fasten the rooftop and basement by applying instant glue on the fillister between.

